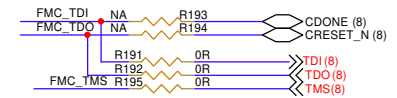
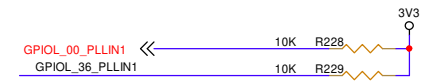
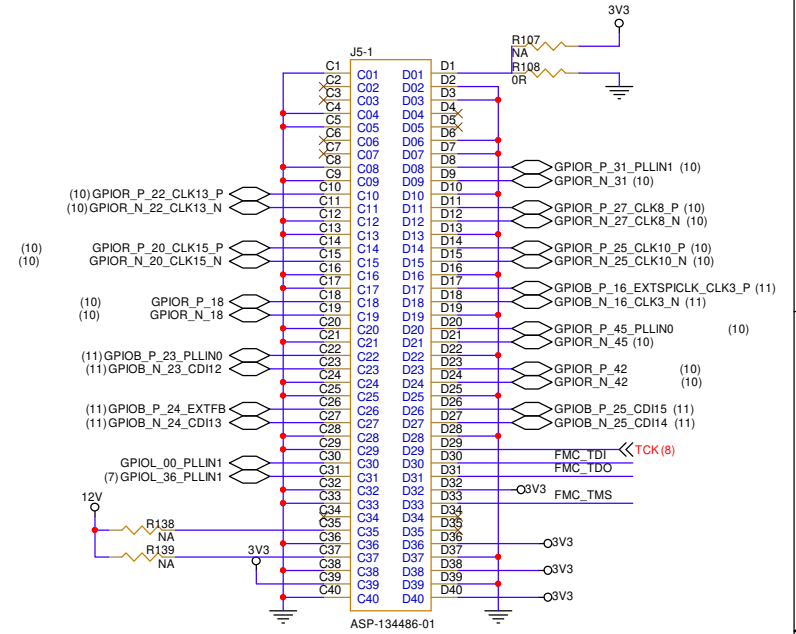
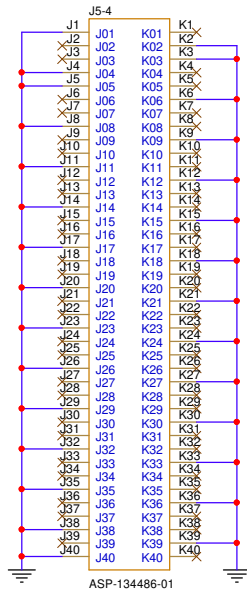
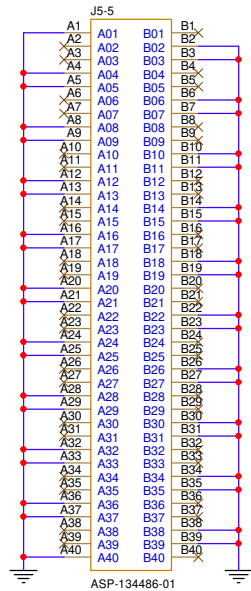
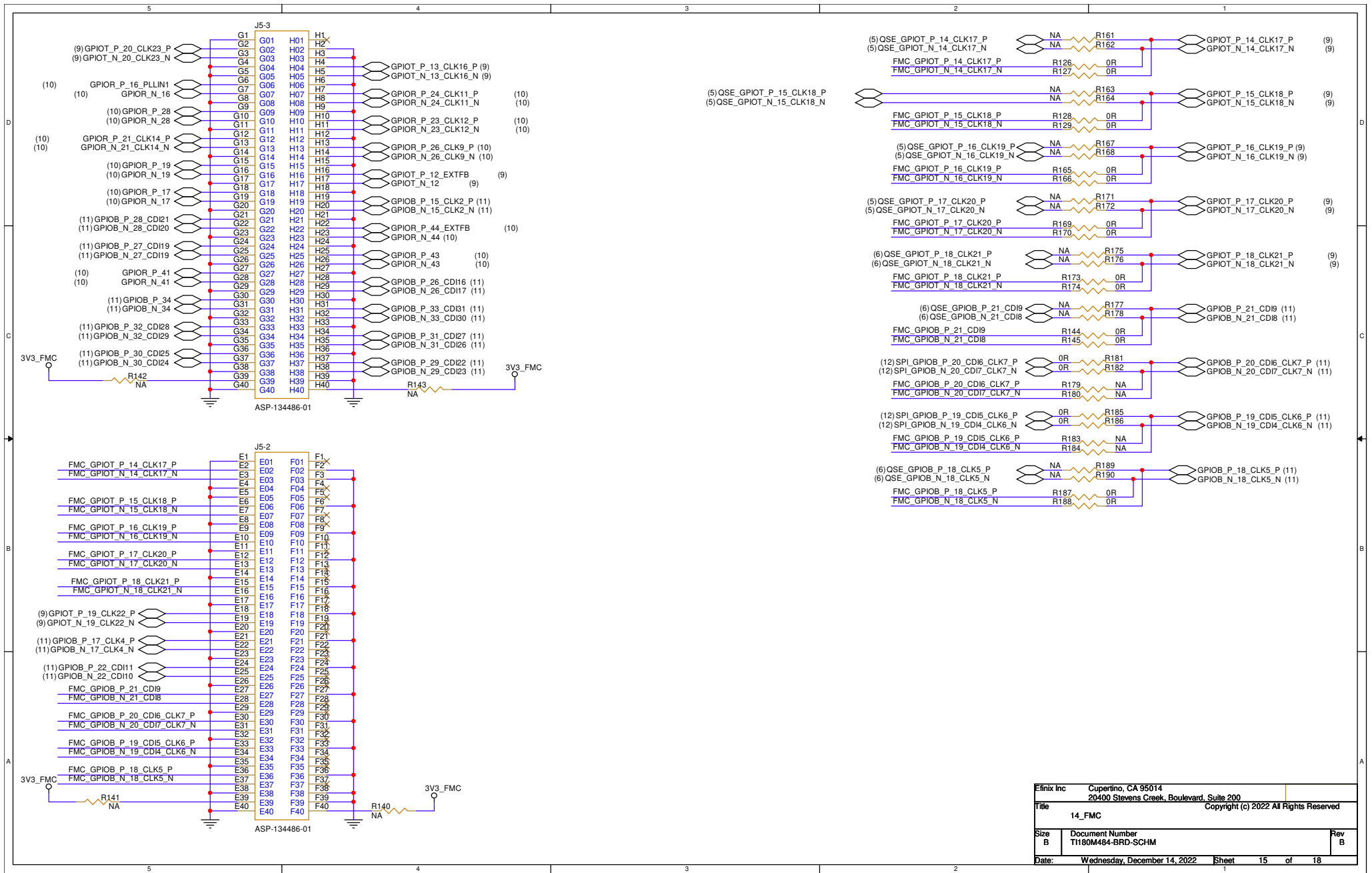


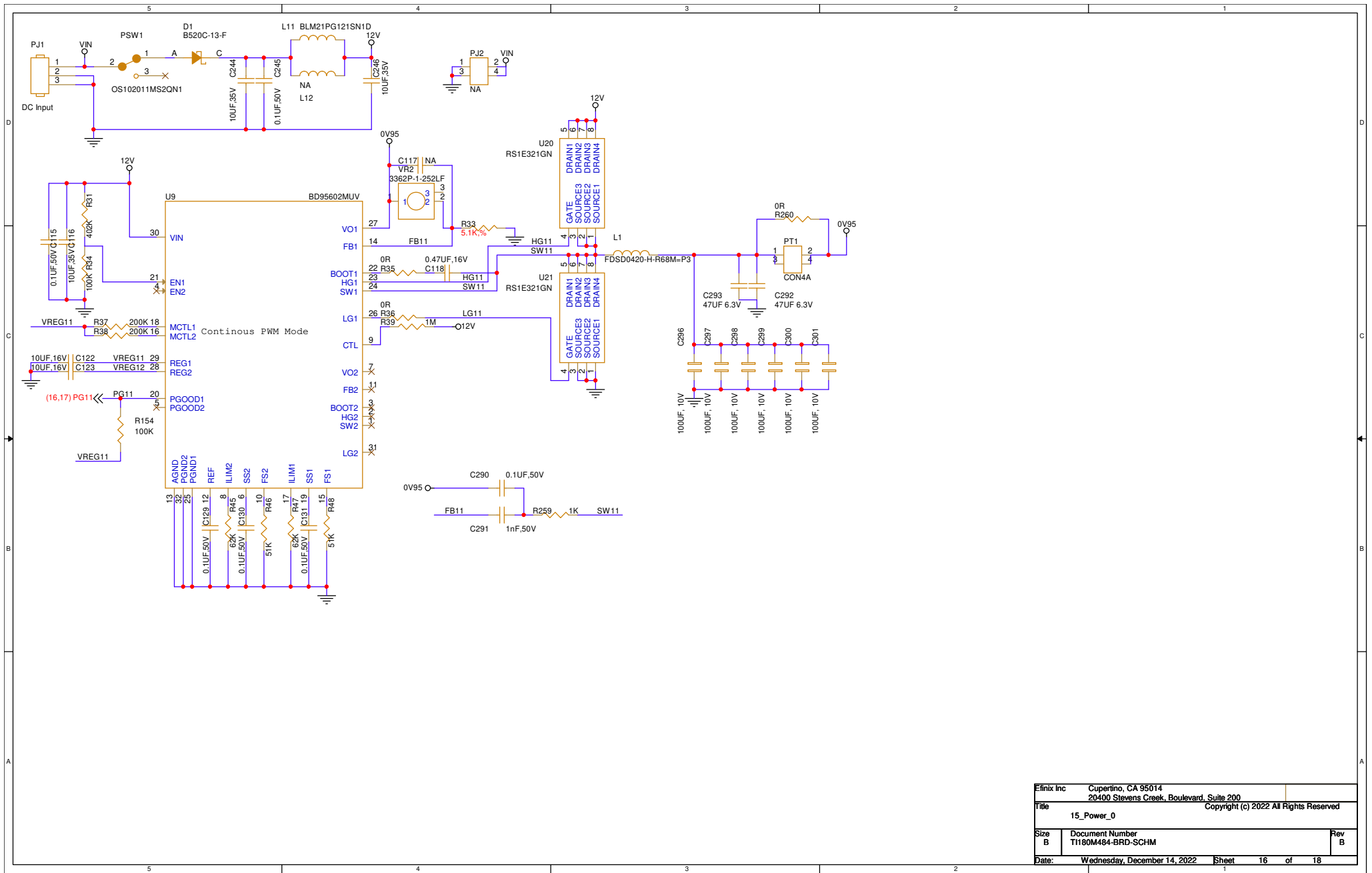
Elinix Inc		Cupertino, CA 95014	
20400 Stevens Creek, Boulevard, Suite 200		Copyright (c) 2022 All Rights Reserved	
Title 12_SPI Flash			
Size B	Document Number T1180M484-BRD-SCHM	Rev B	
Date:	Wednesday, December 14, 2022	Sheet	13 of 18



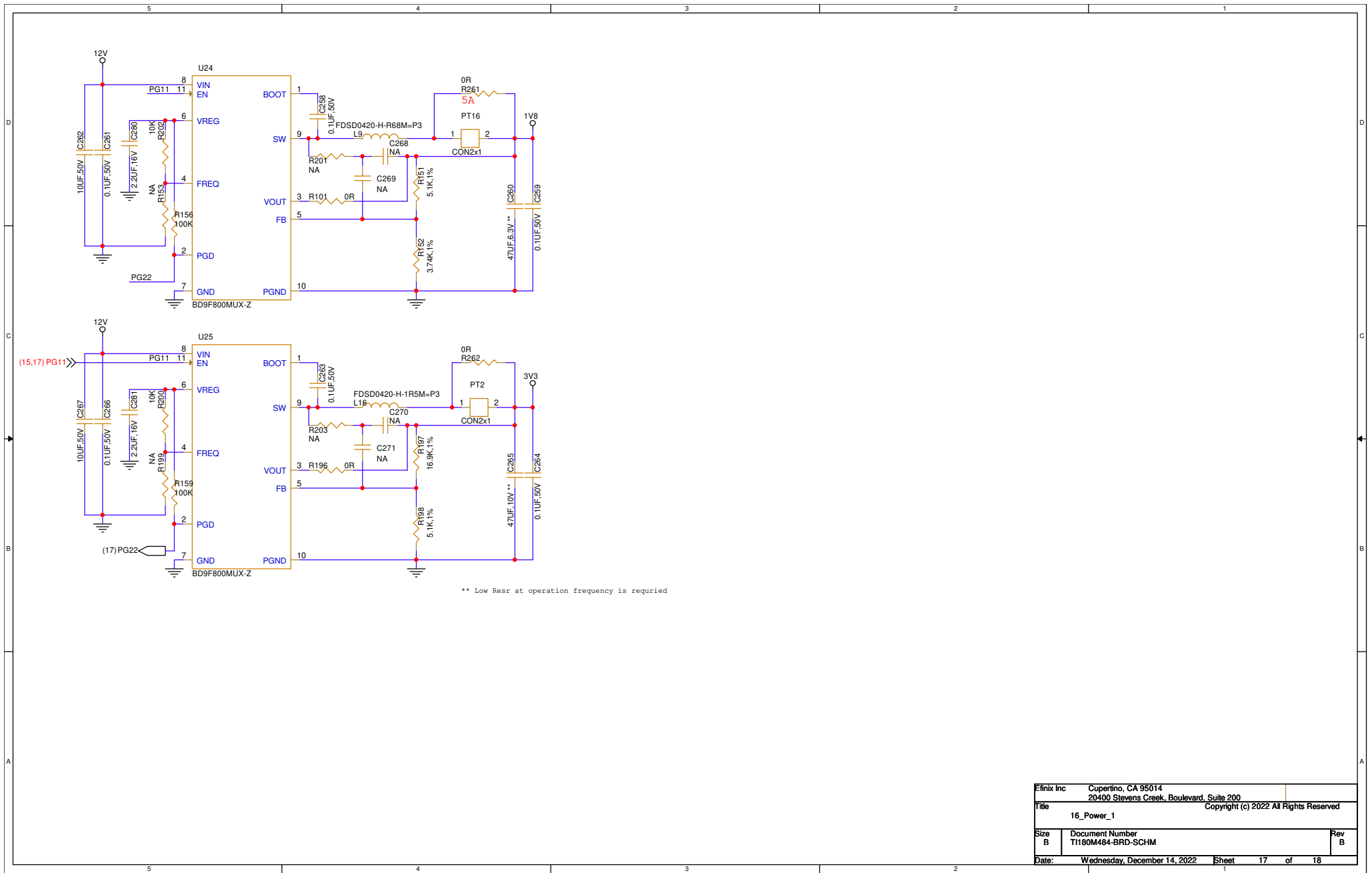
Elinix Inc		Cupertino, CA 95014	
20400 Stevens Creek, Boulevard, Suite 200		Copyright (c) 2022 All Rights Reserved	
Title		13_FMC	
Size	Document Number	Rev	B
B	T1180M484-BRD-SCHM		
Date:	Wednesday, December 14, 2022	Sheet	14 of 18



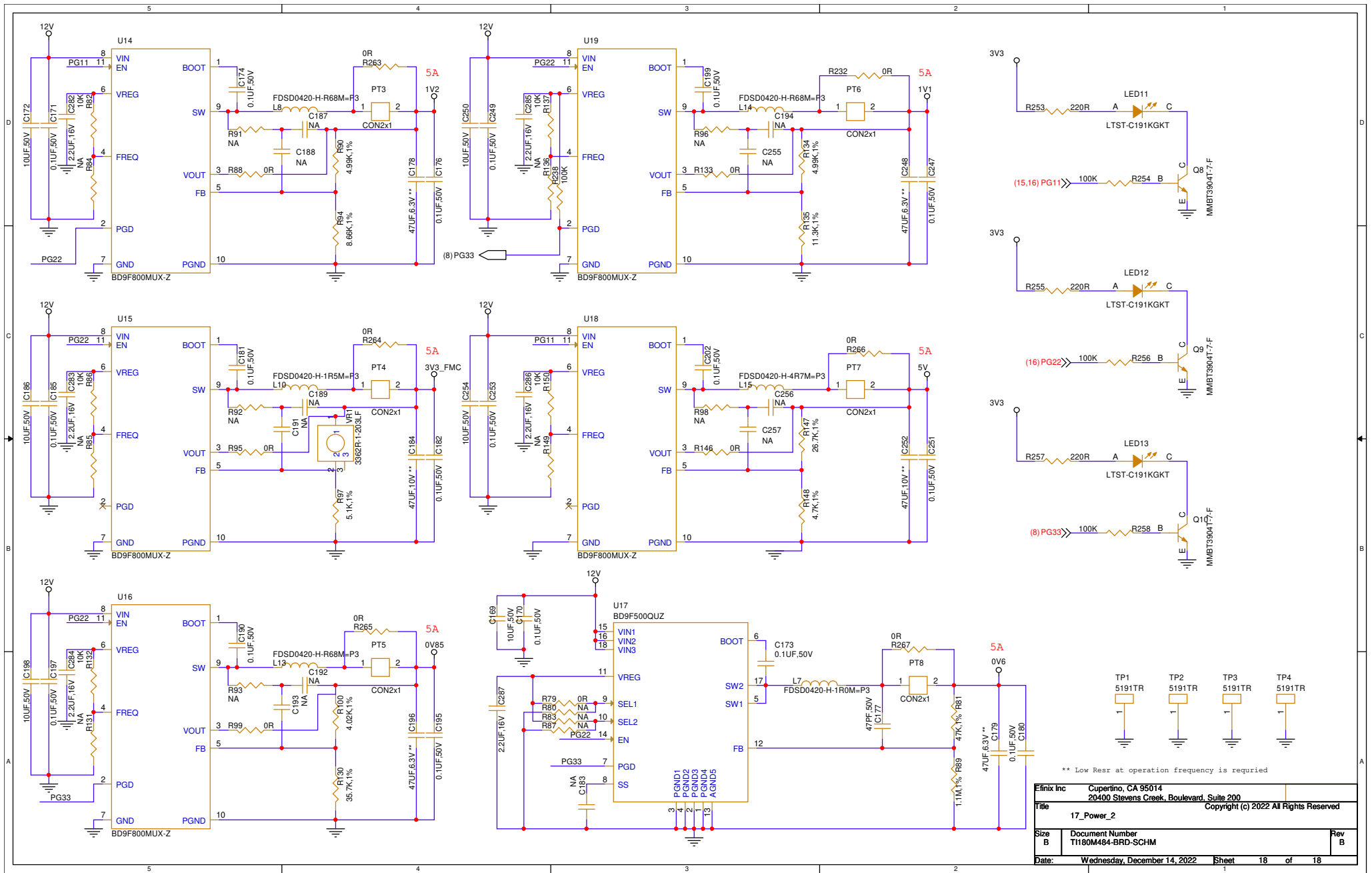
Elinix Inc		Cupertino, CA 95014	
20400 Stevens Creek, Boulevard, Suite 200		Copyright (c) 2022 All Rights Reserved	
Title		14_FMC	
Size		Document Number	
B	T1180M484-BRD-SCHM	Rev B	
Date:	Wednesday, December 14, 2022	Sheet	15 of 18



Elix Inc		Cupertino, CA 95014	
20400 Stevens Creek, Boulevard, Suite 200		Copyright (c) 2022 All Rights Reserved	
Title			
15_Power_0			
Size	Document Number	Rev	
B	T1180M484-BRD-SCHM	B	
Date:	Wednesday, December 14, 2022	Sheet	16 of 18



Elinix Inc		Cupertino, CA 95014	
20400 Stevens Creek, Boulevard, Suite 200		Copyright (c) 2022 All Rights Reserved	
16_Power_1			
Size B	Document Number T1180M484-BRD-SCHM	Rev B	
Date:	Wednesday, December 14, 2022	Sheet	17 of 18



** Low Resr at operation frequency is required

Flix Inc Cupertino, CA 95014
20400 Stevens Creek, Boulevard, Suite 200
Copyright (c) 2022 All Rights Reserved

Title 17_Power_2

Size B Document Number T1180M484-BRD-SCHM Rev B

Date: Wednesday, December 14, 2022 Sheet 18 of 18



Item	Qty	Reference	Part	PCB Footprint
1	2	CR1,CR2	ESD Suppressor 24VDC 15kV	C0603
2	163	C1,C2,C3,C4,C5,C6,C7,C8,C9,C10,C11,C12,C13,C14,C15,C16,C17,C18,C19,C20,C21,C22,C23,C24,C25,C26,C27,C28,C29,C30,C31,C32,C33,C34,C36,C38,C40,C42,C43,C44,C45,C46,C47,C48,C49,C50,C51,C52,C53,C54,C55,C56,C57,C58,C59,C60,C61,C62,C63,C64,C65,C66,C67,C68,C69,C72,C74,C76,C78,C80,C82,C84,C86,C88,C103,C107,C112,C115,C120,C121,C126,C129,C130,C131,C133,C135,C137,C139,C140,C142,C170,C171,C173,C174,C176,C180,C181,C182,C185,C190,C195,C197,C199,C200,C201,C202,C203,C204,C205,C206,C207,C208,C209,C210,C211,C212,C213,C214,C215,C216,C217,C218,C219,C220,C221,C222,C223,C224,C225,C226,C227,C228,C229,C230,C231,C233,C234,C235,C237,C239,C241,C243,C245,C247,C249,C251,C253,C258,C259,C261,C263,C264,C266,C272,C273,C274,C275,C276,C277,C278,C288,C289,C290	0.1UF±10% 50V	C0402
3	32	C35,C37,C39,C41,C70,C71,C73,C75,C77,C79,C81,C83,C85,C87,C108,C109,C114,C122,C123,C124,C125,C132,C134,C136,C138,C141,C145,C232,C236,C238,C240,C242	10uF ±20% 16V	C0603
4	1	C179	47uF 6.3VDC 0603	C0603
5	9	C92,C93,C95,C96,C98,C99,C101,C102,C104	4.7uF ±10% 16V	C0603
6	4	C94,C97,C100,C279	0.01uF ±10% 50V	C0402
7	1	C105	3.3uF ±10% 10V	C0603
8	2	C110,C111	10pF ±5% 50V	C0402
9	1	C118	0.47UF ±10% 25V	C0402
10	1	C143	4.7nF ±10% 200V	C1206
11	3	C184, C252, C265	47uF 10VDC 1210	C1210
12	11	C116,C244,C246,C169,C172,C186,C198,C250,C254,C262,C267	10uF ±10% 50V	C1206
13	4	C178, C196, C248, C260	47uF 6.3VDC 1206	C1206
14	1	C177	47pF C0G 0402	C0402
15	8	C280,C281,C282,C283,C284,C285,C286,C287	2.2uF ±10% 16V	C0402
16	1	C291	1nF ±10% 50V	C0402
17	2	C292,C293	47uF ±20% 6.3V	C0805
18	6	C296,C297,C298,C299,C300,C301	100uF ±20% 10V	C1210

19	1	D1	Schottky Barrier Rectifier 20V 5A	DO-SMC
20	28	PT1,PT2,PT3,PT4,PT5,PT6,PT7,PT8,PT9,PT10,PT11,PT12,PT13,PT14,PT15,PT16,PT17,J4,J10,J11,J12,J13	Jumper (Busbar), Mini Shunt Jumper, 2 Ways, 2.54 mm, 2228 Series	Shunt
21	1	J8	HEADER 10	SIP10-2.54
22	1	J9	CON10A	CON5X2-2.54A
23	4	J10,J11,J12,J13	TSW-106-05-G-D	CON6X2-2.54A-TSW-106-05-G-D
24	10	LED1,LED2,LED3,LED4,LED5,LED6,LED7,LED11,LED12,LED13	Green	LED-0603
25	1	L7	1uH 0420	L-4.2X4.2-FDSD0420
26	5	L1,L8,L9,L13,L14	680nH 4.2mmx4.2mm -20%~20% 6500mA 2mm	L-4.2X4.2-FDSD0420
27	2	L10 L16	1.5uH 4.2mmx4.2mm -20%~20% 4300mA 2mm	L-4.2X4.2-FDSD0420
28	1	L11	Chip Ferrite Bead 120Ω@100MHz 3000mA	L0805
29	1	L15	4.7uH 4.2mmx4.2mm -20%~20% 2700mA 2mm	L-4.2X4.2-FDSD0420
30	1	OSC1	CRY-2520-4P25M	CRY-2520-4P
31	1	OSC2	CRY-2520-4P 74.25M	CRY-2520-4P
32	1	OSC3	CRY-2520-4P 50M	CRY-2520-4P
33	1	OSC4	CRY-2520-4P 33.333333M	CRY-2520-4P
34	1	OSC5	CRY-2520-4P 25M	CRY-2520-4P
35	1	PJ1	2.5 x 6.3 mm, 5.0 A, Horizontal, Surface Mount (SMT), Dc Power Jack Connector	DC-PJ-037BH-SMT
36	1	PSW1	SPDT 100mA (DC) 12V 4.00mm Thru-hole PC 2.00mm	SW-3P-SPDT-OS102011MS2QN1
37	4	PT1,PT17, PT15,PT12	CON2X2-2.54A 2*2P	CON2X2-2.54A
38	13	PT2,PT3,PT4,PT5,PT6,PT7,PT8,PT9,PT10,PT11,PT13,PT14,PT16	SIP2-2.54 2*1P	SIP2-2.54
39	4	P1,P2,P3,P4	CONN RCPT 40POS SMD GOLD	CON20X2-QSE02001XXXDA-2HOLD
40	1	J5	□ VITA 57 CONN ARRAY RCPT 400pin 1.27mm	ASP-134486-01-FMCHUB
41	10	Q1,Q2,Q3,Q4,Q5,Q6,Q7,Q8,Q9,Q10	NPN 200mA 40V 0.3V@5mA,50mA - 100@10mA,1V - 55°C~150°C(TJ) SOT-523	SOT523-EBC
42	68	R1,R2,R11,R12,R13,R14,R27,R29,R30,R32,R40,R41,R42,R43,R82,R86,R102,R103,R104,R105,R106,R109,R110,R111,R132,R137,R150,R200,R202,R204,R205,R206,R207,R208,R209,R210,R211,R212,R213,R214,R215,R216,R217,R218,R219,R220,R221,R222,R223,R224,R225,R226,R227,R228,R229,R239,R240,R241,R242,R243,R244,R245,R246,R247,R248,R249,R250,R251	10kΩ ±1% 1/16W	R0402
43	2	R3,R4	240Ω ±1% 1/16W	R0402

44	4	R6,R7,R10,R252	33Ω ±1% 1/16W	R0402
45	2	R15,R16	10Ω ±1% 1/16W	R0402
46	17	R17,R26,R28,R34,R114,R121,R122,R123,R124,R125,R154,R156,R159,R238,R254,R256,R258	100kΩ ±1% 1/16W	R0402
47	1	R18	12kΩ ±1% 1/16W	R0402
48	3	R19,R20,R21	10kΩ ±0.1% 1/16W	R0402
49	1	R22	2.2kΩ ±1% 1/16W	R0402
50	6	R23,R24,R33,R97,R151,R198	5.1kΩ ±1% 1/16W	R0402
51	10	R25,R115,R116,R117,R118,R119,R120,R253,R255,R257	220Ω ±1% 1/16W	R0402
52	1	R31	402kΩ ±1% 1/16W	R0402
53	40	R35,R36,R79,R88,R95,R99,R101,R108,R126,R127,R128,R129,R133,R144,R145,R146,R165,R166,R169,R170,R173,R174,R181,R182,R185,R186,R187,R188,R191,R192,R195,R196,R260,R261,R262,R263,R264,R265,R266,R267	0Ω ±1% 1/16W	R0402
54	2	R37,R38	200kΩ ±1% 1/16W	R0402
55	1	R39	1MΩ ±1% 1/16W	R0402
56	2	R45,R47	62kΩ ±1% 1/16W	R0402
57	2	R46,R48	51kΩ ±1% 1/16W	R0402
58	1	R49	1MΩ ±5% 250mW	R1206
59	1	R81	47K 1% 0402	R0402
60	1	R89	1.1M 1% 0402	R0402
61	2	R90,R134	4.99kΩ ±1% 1/16W	R0402
62	1	R94	8.66kΩ ±1% 1/16W	R0402
63	1	R100	4.02kΩ ±1% 1/16W	R0402
64	1	R130	35.7kΩ ±1% 1/16W	R0402
65	1	R135	11.3kΩ ±1% 1/16W	R0402
66	1	R147	26.7kΩ ±1% 1/16W	R0402
67	1	R148	4.7kΩ ±1% 1/16W	R0402
68	1	R152	3.74kΩ ±1% 1/16W	R0402
69	1	R197	16.9kΩ ±1% 1/16W	R0402
70	1	R232	0mΩ 0.125W,1/8W -5%~5%	R0805
71	1	R259	1KΩ -1%~1% 0.063W,1/16W	R0402

72	1	SD1	MicroSD Card Sockets Connectors	SD-FG-MCD-111643
73	1	SMA1	0 Ohms, SMA PCB Jack Receptacle, Vertical, with Standoffs	SMA-CON-V-SD-73391-007
74	4	SW1,SW2,SW3,SW4	SPST-NO Tactile Switches 4.2mmx3.2mm - 400gf	SW-4.2X3.2-PTS810
75	1	USB1	USB - Type C Female 16 SMT USB Connectors	USB-TYPEC-U262-16XN-4BVC11
76	4	TP1, TP2, TP3, TP4		
77	1	U1	Ti180M484 BGA484-18X18-.8-SOCKET	BGA484-18X18-.8-SOCKET
78			Ti180L484 BGA484-18X18-.8-SOCKET	
79	1	U2	DRAM Chip Mobile LPDDR4 SDRAM	WFBGA200-10X14.5-.8X.65
80	1	U4	USB UART USB 2.0 70mA 64-LQFP 3 V ~ 3.6 V	QFN56-0808-.5TH6.1
81	1	U28	Supervisor IC, Voltage Detector, Reset IC Series for Automotive Application	SOT23-5
82	1	U6	EEPROM 2Kb (128 x 16) 2MHz SPI SOT-23-6 2.5 V ~ 5.5 V	SOT23-6
83	1	U9	5.5V to 28V Input, 2ch Synchronous Buck DC/DC Controller	QFN32-0505-.5TH3.4
84	7	U14,U15,U16,U18,U19,U24,U25	1 Adjustable 8000mA 600(Typ)kHz 4.5V 28V	VQFN11-3.5X3.5-BD9F800MUX-Z
85	1	U17	Positive Buck Adjustable 1 0.6V 14V 5000mA 600kHz, 1KHz, 2.2MHz 16-XFQFN Exposed Pad 4.5V 36V	QFN16-0303-.5-2pad
86	2	U20,U21	Power MOSFET 30V 20V,-20V 34W -55°C~150°C	HSOP8-6X5-1.27TH4.21X3.5
87	2	U26,U27	NOR Flash Serial (SPI, Dual SPI, Quad SPI) 1.8V 256M-bit 256M/128M/64M x 1/2-bit/4-bit 5ns 8-Pin WSON EP	WSON8-6X5-1.27TH4X3.4
88	1	VR1	Trimmer Resistors - Through Hole 1/4"SQ 20KOHMS 10% 0.5WATTS	VR-3362R
89	1	VR2	Trimmer Resistors - Through Hole TRIMMER - 1/4" SQ ST CERMET	VR-3362R
90	1	Y1	12000000Hz -40°C~85°C 3225-4 12pF	CRY-3.2-2.5-4P



Disclaimers

EFINIX DOES NOT PROVIDES ANY WARRANTY OF ACCURACY, COMPLETENESS, MERCHANTABILITY OR NONINFRINGEMENT OF THIRD-PARTY RIGHTS ON THIS DOCUMENT. THE INFORMATION IN THIS DOCUMENT IS "AS IS". IN NO EVENT WILL EFINIX BE LIABLE FOR ANY EXEMPLARY, SPECIAL, CONSEQUENTIAL, INDIRECT, OR INCIDENTAL DAMAGES, INCLUDING ANY LOSS OF DATA, LOST OF PROFITS, LOSS OF INFORMATION, LOSS OF LIFE OR BUSINESS INTERRUPTION, ARISING FROM YOUR USE OF THIS DOCUMENT.

EFINIX shall make changes to this document at any time without notification. EFINIX assumes no obligation to correct any errors contained in this document or to advise any user of this document of any correction if such be made. EFINIX advise its customers obtain the latest FPGA schematic before ordering so that no conflict of information correctness afterward.