

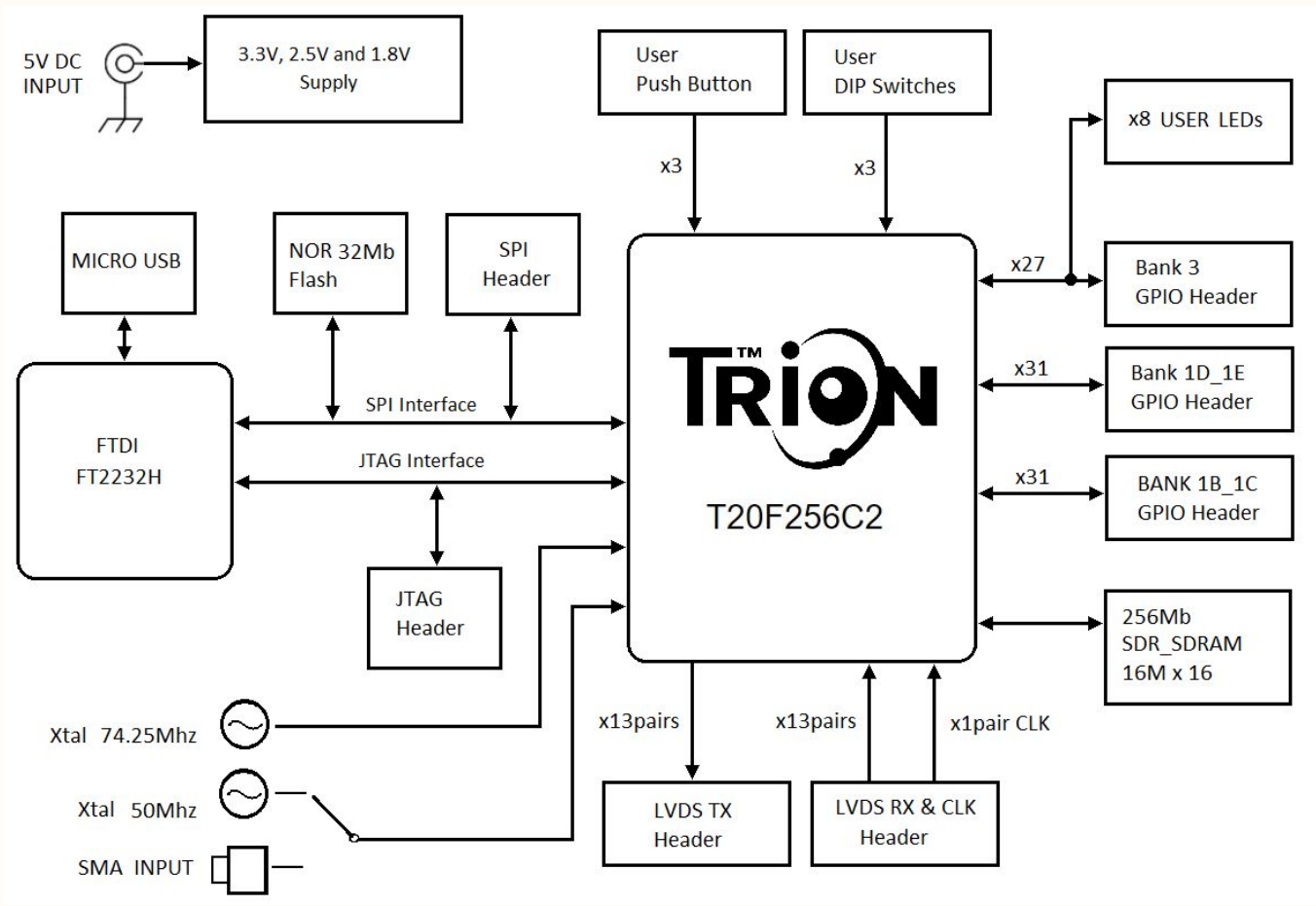
TRION 20 DEVELOPMENT BOARD (Rev. 3)

CONTENTS

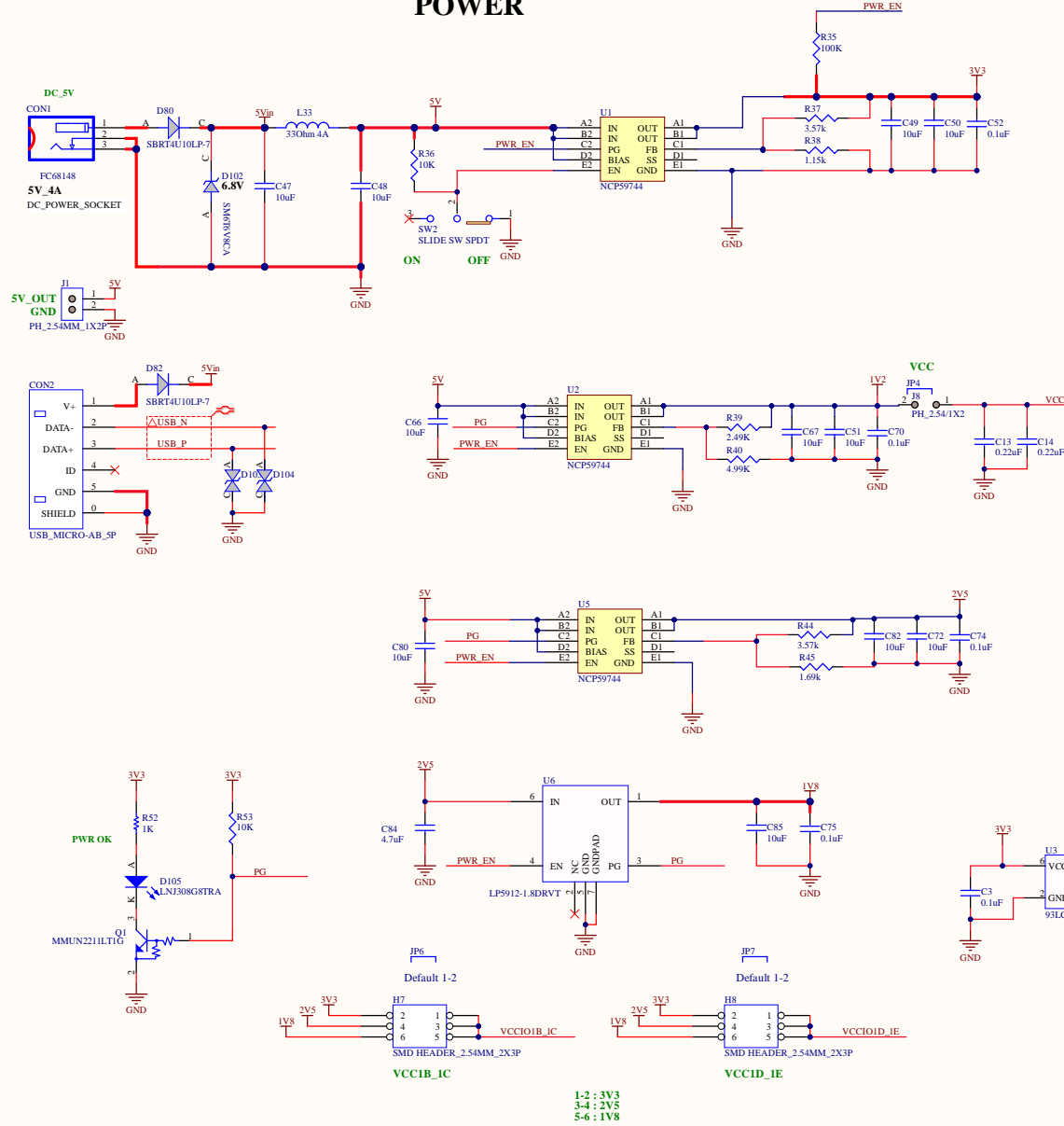
PAGE 01 - TABLE OF CONTENTS
PAGE 02 - BLOCK DIAGRAM
PAGE 03 - POWER SUPPLY & FTDI
PAGE 04 - CONTROL SIGNAL & SDRAM
PAGE 05 - POWER & CLOCK
PAGE 06 - GPIO & LVDS
PAGE 07 - GPIO HEADER

REVISION HISTORY

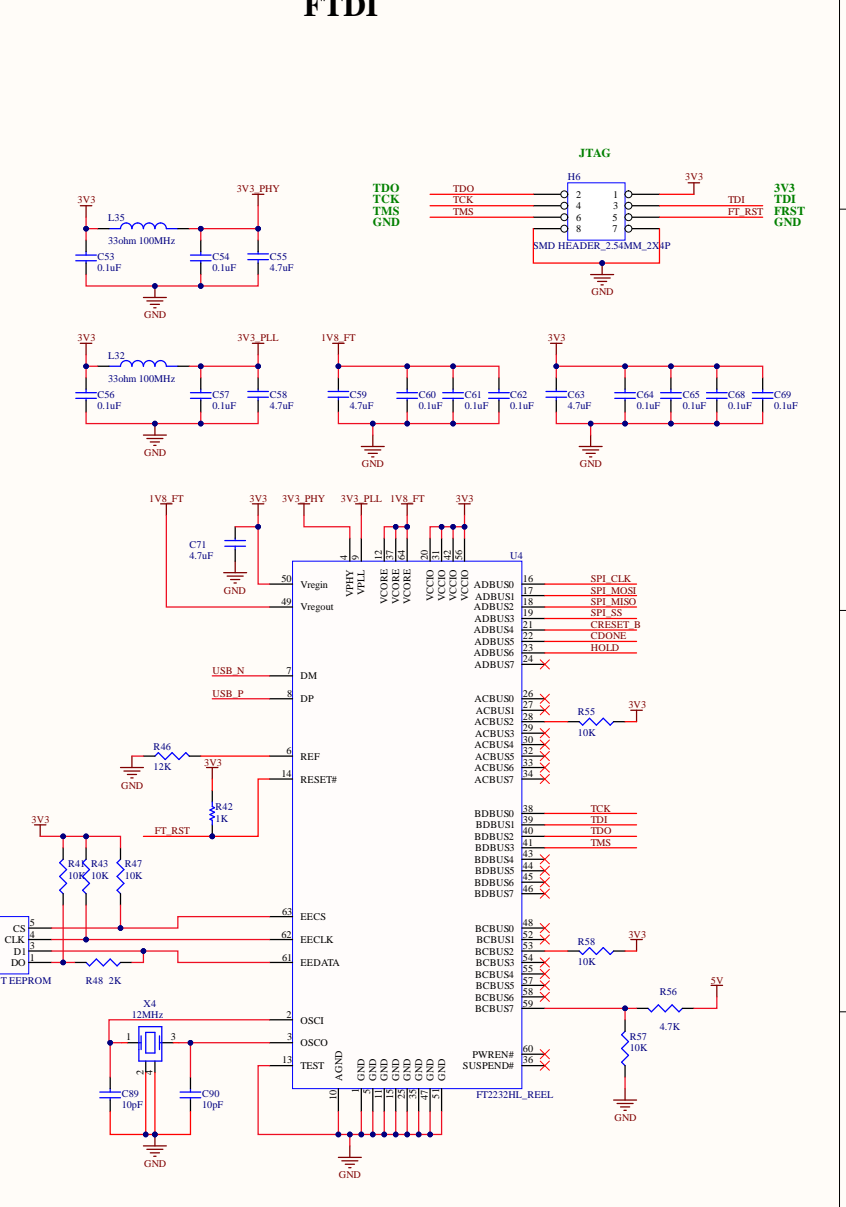
1.0	INITIAL CREATION	22 NOV 2018
2.0	SECOND RELEASE	09 JAN 2019
3.0	THIRD RELEASE	29 MAR 2022



POWER

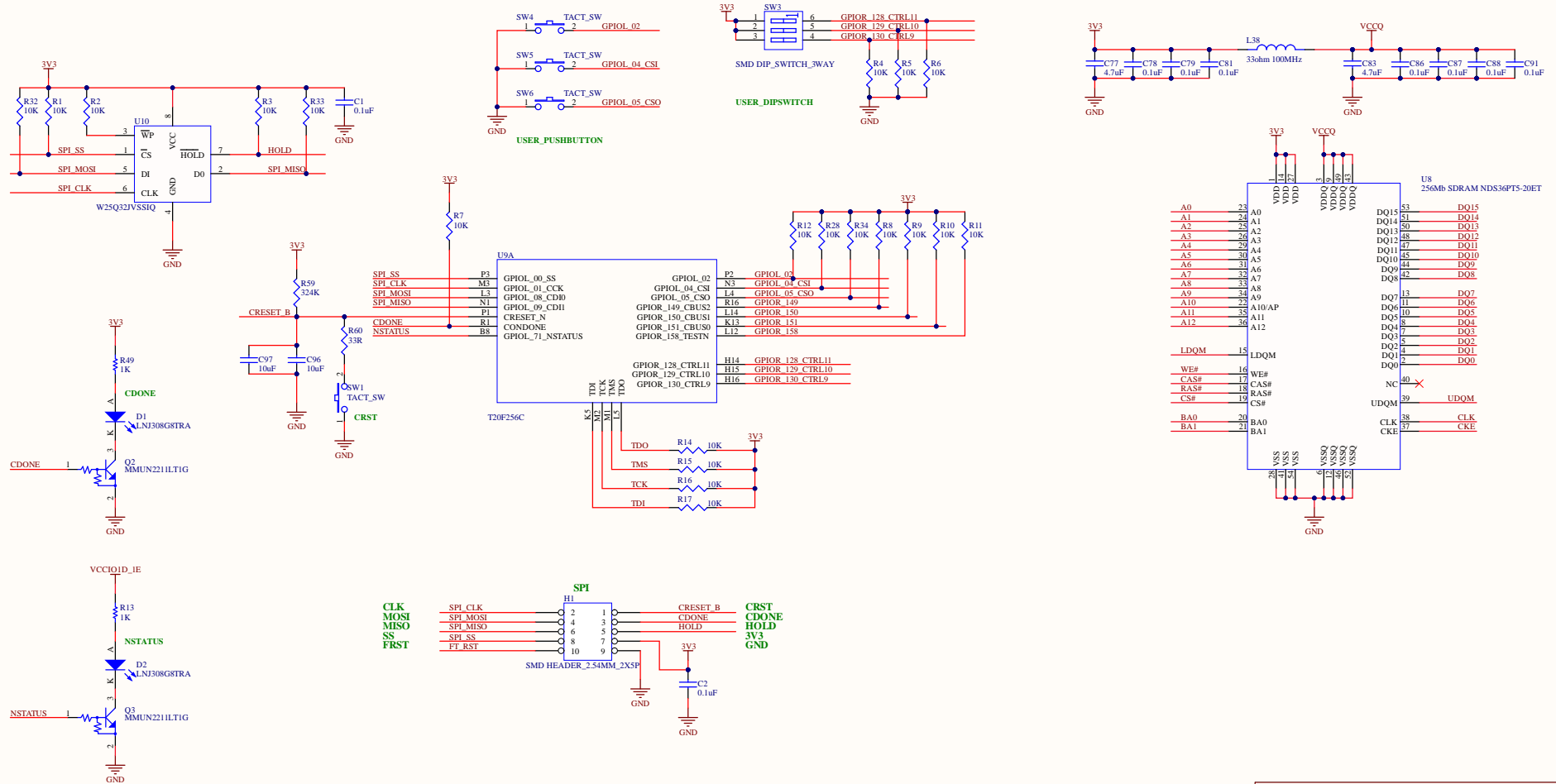


FTDI



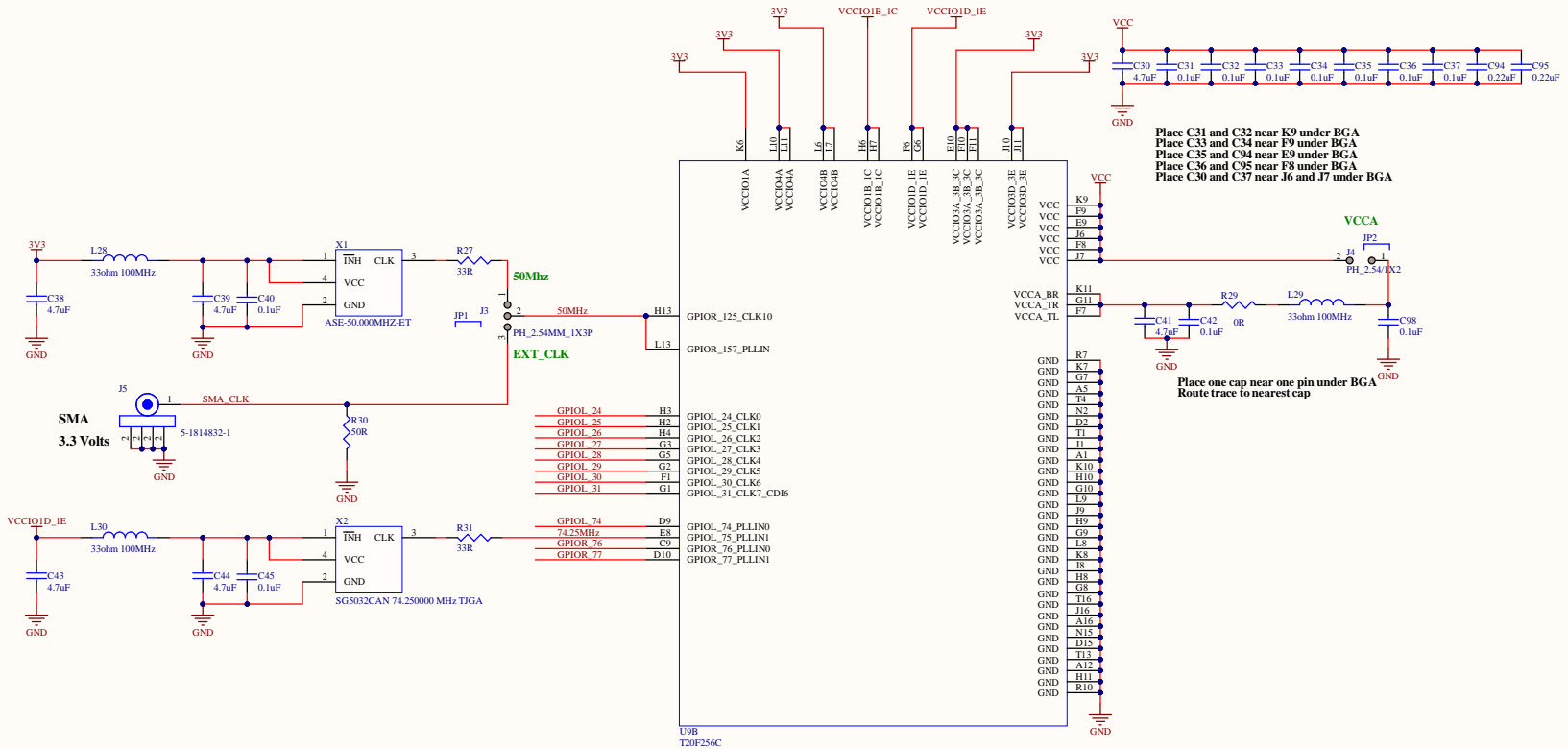
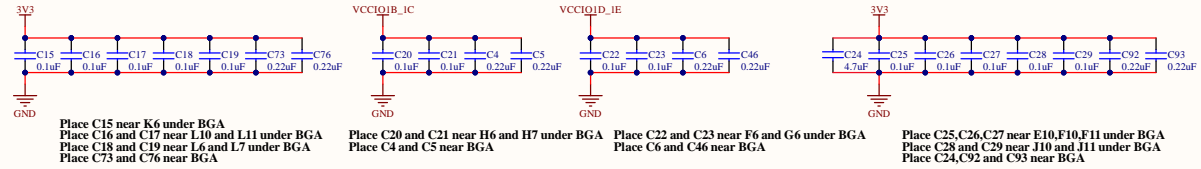
TRION T20 CONTROL SIGNALS

SDR_SDRAM

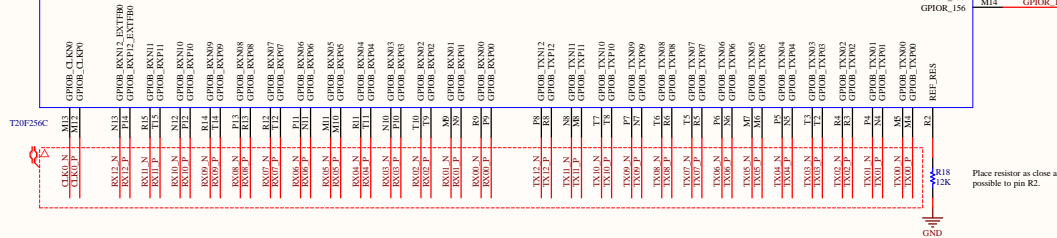
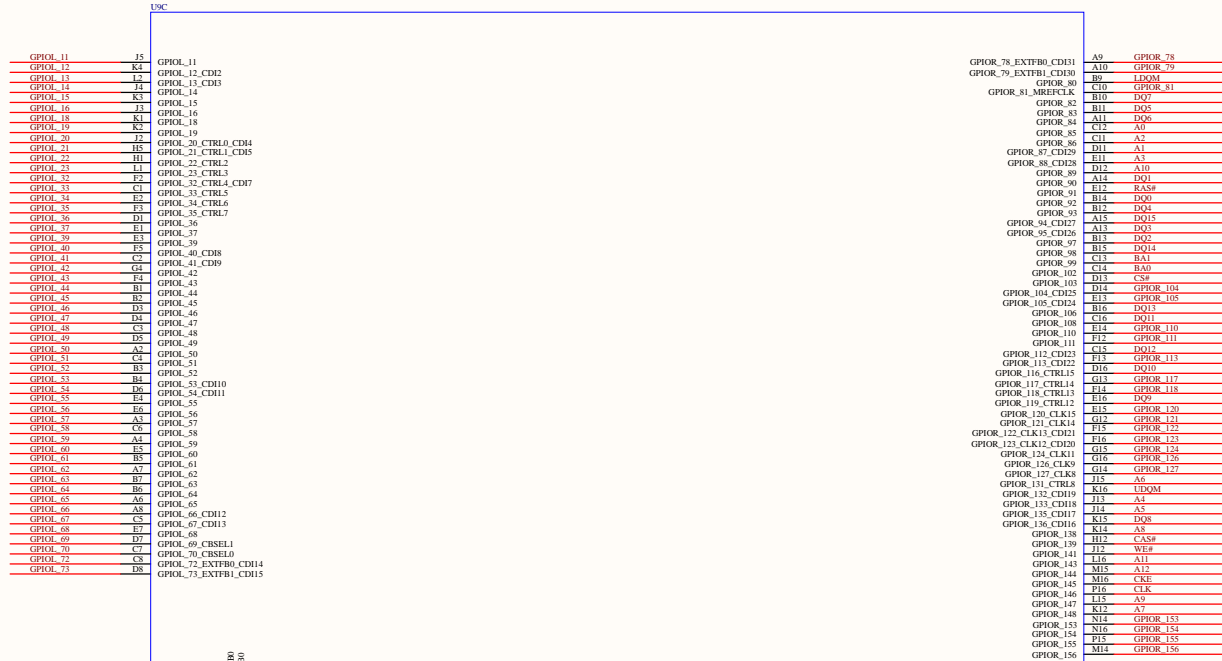


Efmix 900 Lafayette St, Suite 406 SanTa Clara, Ca95050		Copyright(c) 2018 Rights Reserved
Title: CONTROL SIGNAL		
Size: T20F256	Document Number: T20F256	Rev: 2.0
Date: 1/26/2023	Time: 7:43:07 PM	Sheet 4 of 7

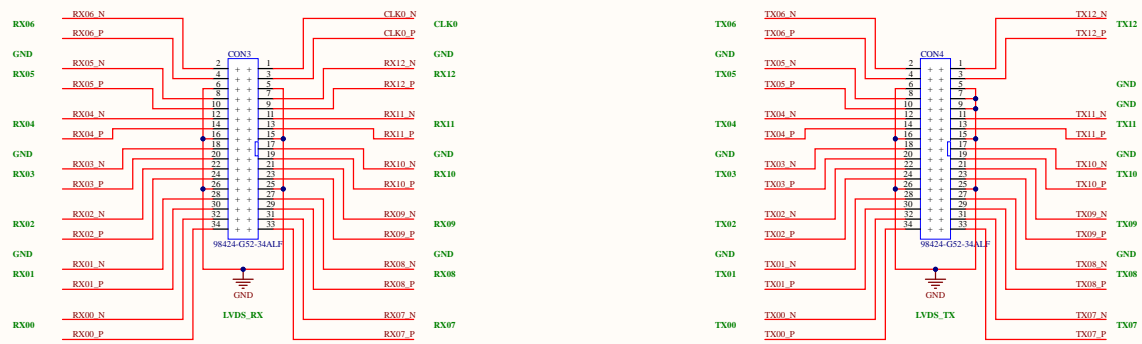
TRION T20 POWER AND CLOCK



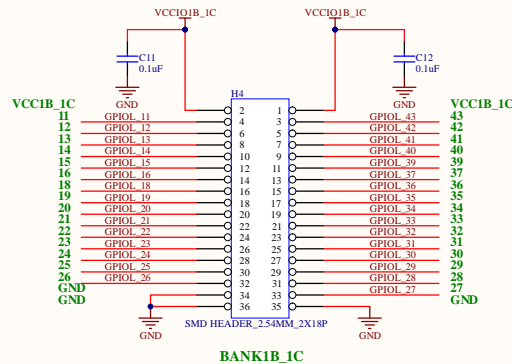
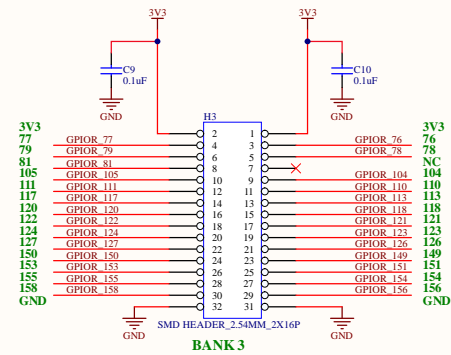
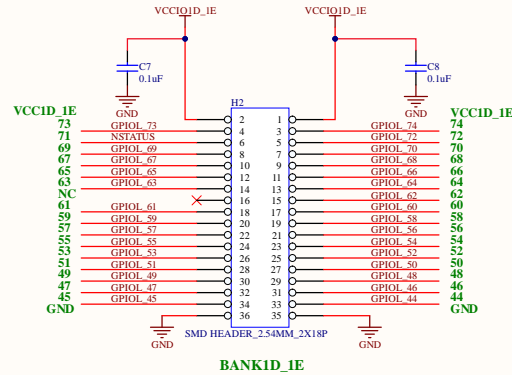
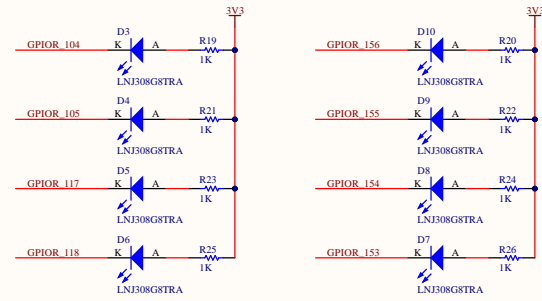
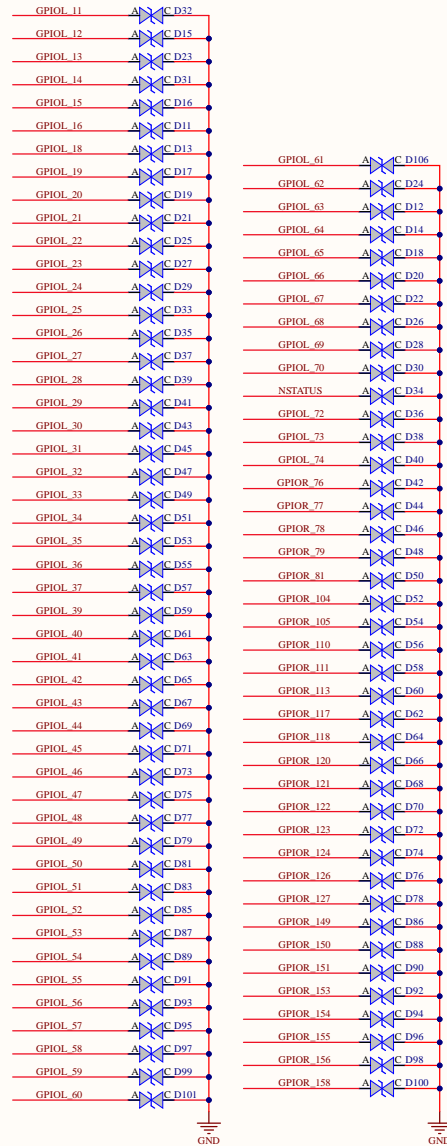
GPIO & LVDS



Place resistor as close as possible to pin R2.



GPIO HEADER



Efmix 900 Lafayette St, Suite 406 SanTa Clara, Ca95050		Copyright(c) 2018 Rights Reserved
Title: GPIO HEADER		
Size:	Document Number: T20F256	Rev: 2.0
Date: 1/26/2023	Time: 7:43:07 PM	Sheet 7 of 7