

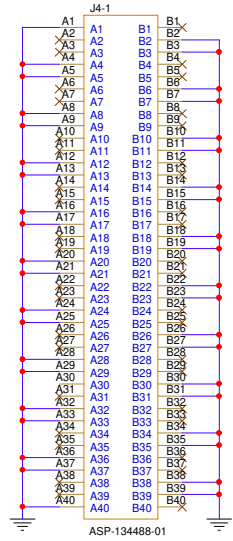
FMC_to_QSE Daughter Card Rev D

CONTENTS

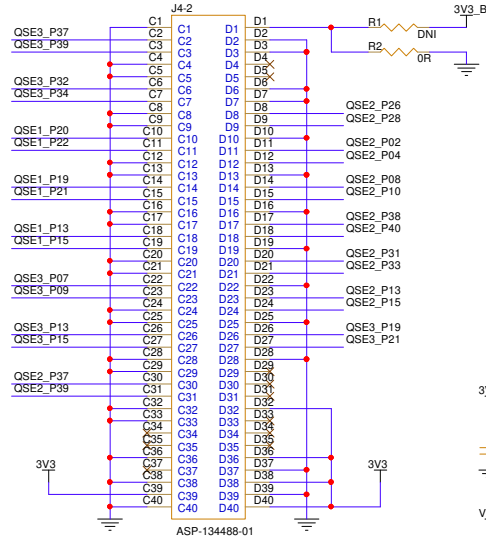
PAGE 01 - TABLE OF CONTENTS
PAGE 02 - FMC_to_QSE_DaughterCard

REVISION HISTORY

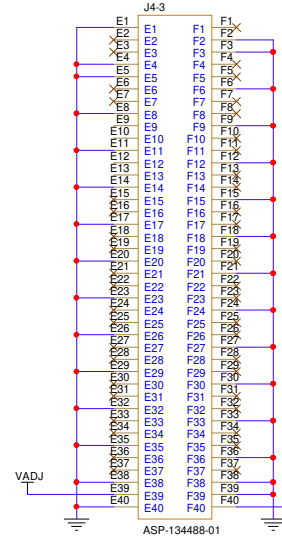
REV	DATE	EDITOR	DESCRIPTION
0.1	04/07/2022		Initial release
1.0	10/10/2022	CFLEUNG	Official release
2.0	11/11/2022	CFLEUNG	Rev C1 Release - Net name update
2.1	13/06/2023	CFLEUNG	Rev C1a Release - Generalize all net names
2.2	19/06/2024	CFLEUNG	Rev D Release - Re-mapping Column E to LPC IOs



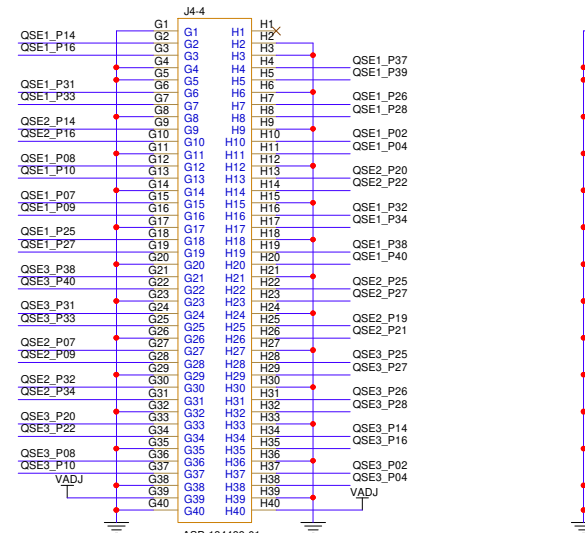
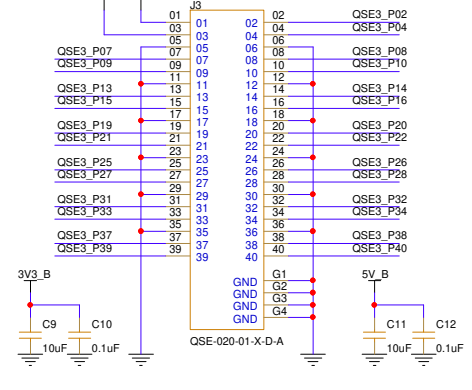
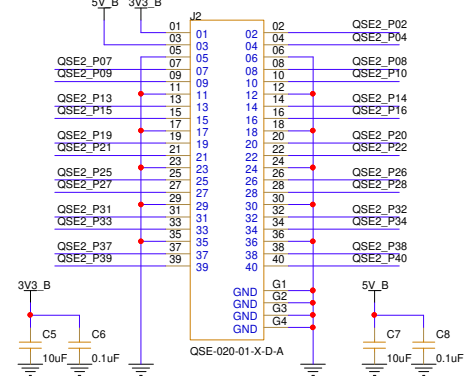
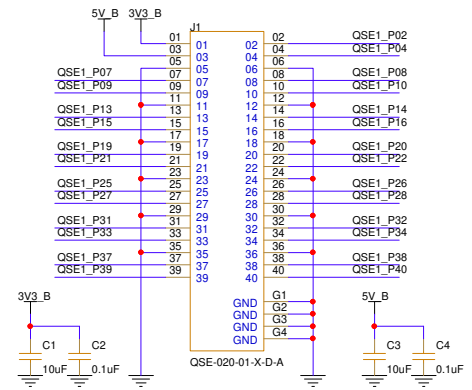
ASP-134488-01



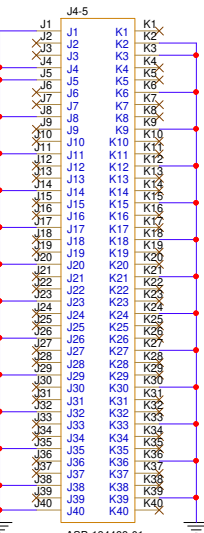
ASP-134488-01



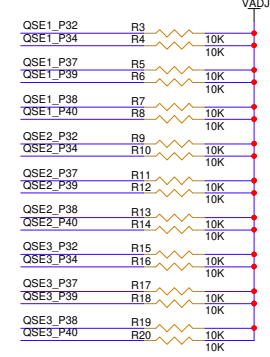
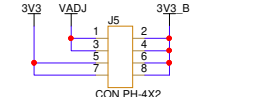
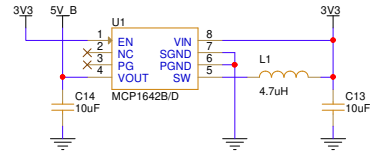
ASP-134488-01



ASP-134488-01



ASP-134488-01



Effinix, Inc. Copyright (C) 2023 All Rights Reserved
 20400 Stevens Creek Boulevard, Suite 200
 Cupertino, CA 95014

Title		
PAGE02 - FMC_to_OSE_DaughterCard		
Size	Document Number	Rev
A3	FMC-QSE-D-DC-SCHM	D
Date:	Wednesday, June 19, 2024	Sheet 2 of 2



Item	Part Type	Description	Value	Reference	Footprint	Mfr. PN	Quantity
1	CAPACITOR	X5R, 10%, 16V	10uF	C1,C3,C5,C7,C9,C11,C13,C14,C15,C17	C0603		10
2	CAPACITOR	X5R, 10%, 50V	0.1uF	C2,C4,C6,C8,C10,C12,C16,C18	C0402		8
3	CONNECTOR	0.80 mm Q Strip® High-Speed Ground Plane Socket Strip	QSE-020-01-X-D-A	J1,J2,J3	QSE-020-01-X-D-A	QSE-020-01-F-D-A	3
4	CONNECTOR	Board to Board & Mezzanine Connectors .050 PITCH TERMINAL ARRAY ASSEMBLY MALE	ASP-134488-01	J4	SAMTEC_ASP-134488-01	ASP-134488-01	1
5	CONNECTOR		CON PH-4X2	J5			1
6	INDUCTOR	Low Profile Hight Current SMT Shielded Power Inductor	4.7uH	L1	TYA2520	TYA2520124R7M-10	1
7	RESISTOR	1%, 0.125W	DNI	R1	R0402		1
8	RESISTOR	1%, 0.125W	0R	R2	R0402		1
9	RESISTOR	1%, 0.125W	10K	R3,R4,R5,R6,R7,R8,R9,R10,R11,R12,R13,R14,R15,R16,R17,R18,R19,R20	R0402		18
10		Switching Voltage Regulators Step-up DC/DC Reg 1 MHz, 1.6A, 5Vout	MCP1642B/D	U1	SOP65P490X110-8N	MCP1642B/D	1



Disclaimers

EFINIX DOES NOT PROVIDE ANY WARRANTY OF ACCURACY, COMPLETENESS, MERCHANTABILITY, OR NONINFRINGEMENT OF THIRD-PARTY RIGHTS ON THIS DOCUMENT. THE INFORMATION IN THIS DOCUMENT IS "AS IS"; IN NO EVENT WILL EFINIX BE LIABLE FOR ANY EXEMPLARY, SPECIAL, CONSEQUENTIAL, INDIRECT, OR INCIDENTAL DAMAGES, INCLUDING ANY LOSS OF DATA, LOSS OF PROFITS, LOSS OF INFORMATION, LOSS OF LIFE OR BUSINESS INTERRUPTION, ARISING FROM YOUR USE OF THIS DOCUMENT.

EFINIX shall make changes to this document at any time without notification. EFINIX assumes no obligation to correct any errors contained in this document or to advise any user of this document of any correction if such be made. EFINIX advises its customers to obtain the latest FPGA schematic before ordering so that no conflict of information correctness arises afterward.